

SNAIGÉ

CC35DM

CC48DM

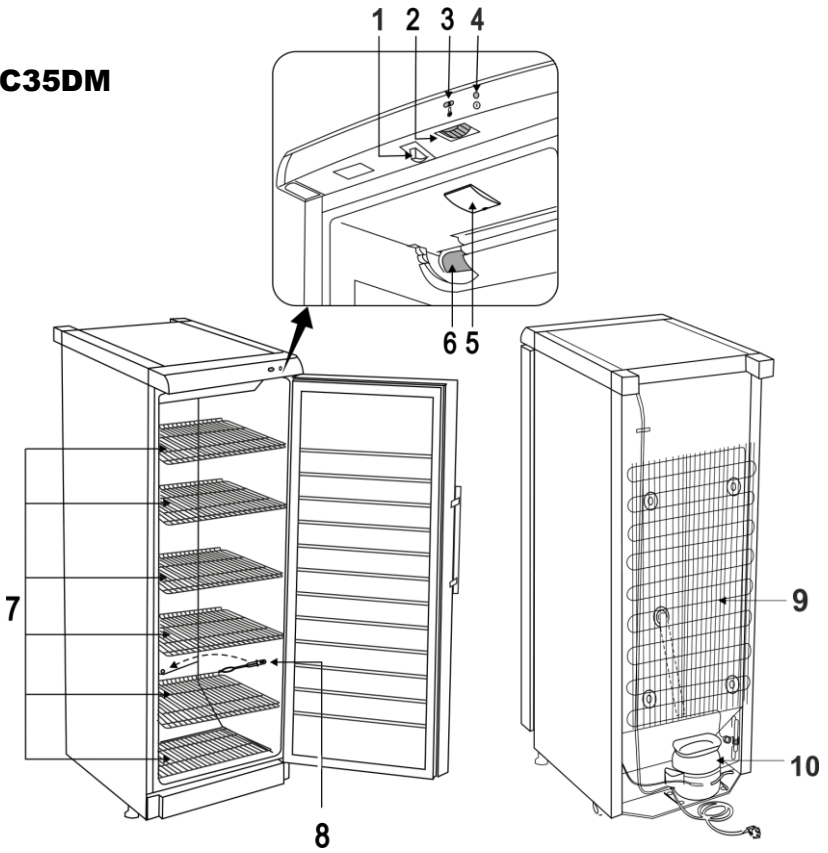


Refrigerated storage cabinet

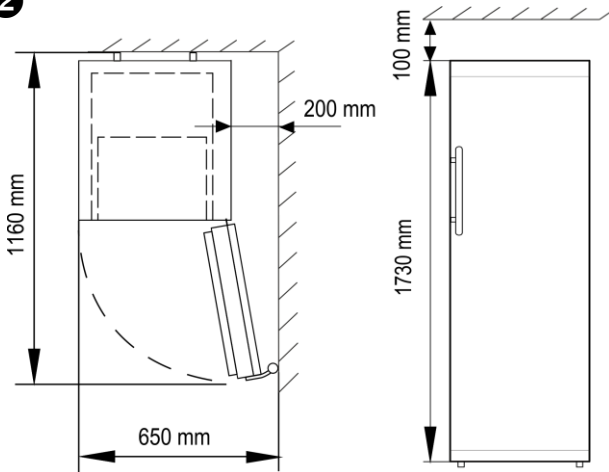
Instruction for Use

1

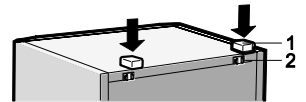
CC35DM



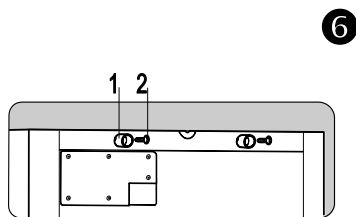
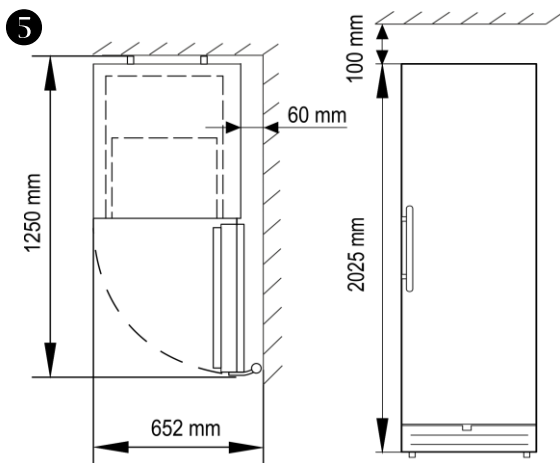
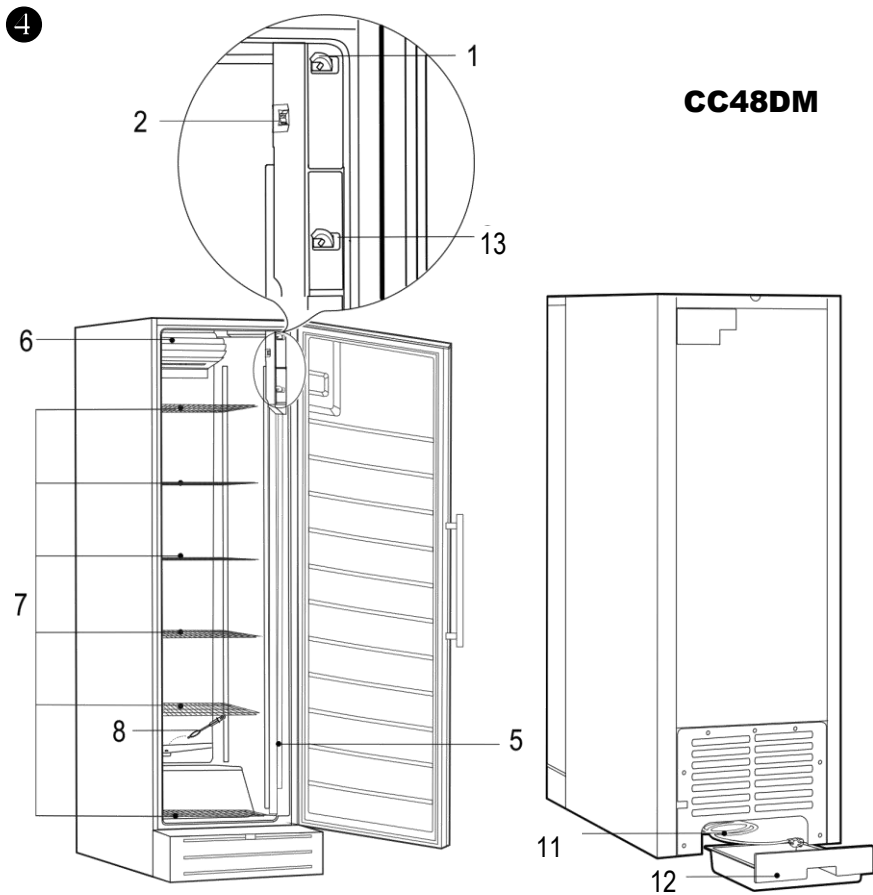
2



3

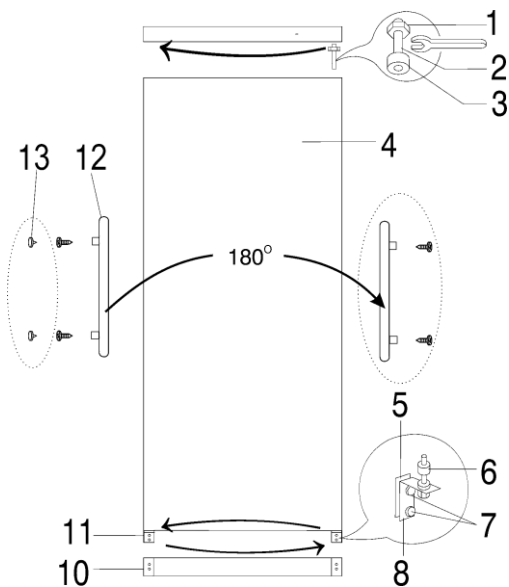


CC48DM



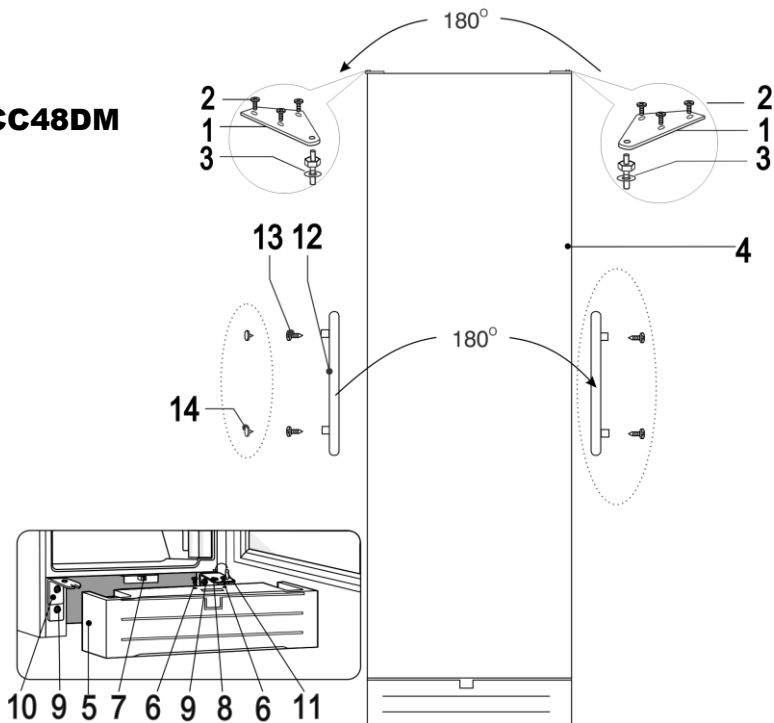
7

CC35DM



8

CC48DM



DEAR CUSTOMER!

CAREFULLY READ THE INSTRUCTION MANUAL. If instructions are not followed, there is a risk of injury, damage of the appliance and loss of the right to free warranty service.

The Manufacturer shall not be held liable for damage arising from the failure to observe the instructions contained in this manual.

We recommend keeping the Instruction manual the whole time you have the appliance. When you sell the appliance pass the Instruction manual to the new owner of the appliance.

General information:

The appliance is professional refrigerated storage cabinet - designed for storage of foodstuffs for a short-term storage of them. **This appliance is intended for commercial use!**

SAFETY INSTRUCTIONS

General safety requirements:

- WARNING: Do not cover the ventilation holes at the top and on the sides of the appliance.
- WARNING: Do not use any mechanical means or electrical devices to hasten the thawing process when cleaning the freezer compartment.
- WARNING: Do not use electrical appliances inside the food storage compartments of the appliance, unless they are of the type recommended by the manufacturer.
- WARNING: When positioning the appliance, ensure the supply cord is not trapped or damaged.
- WARNING: Do not locate multiple portable socket-outlets or portable power supplies at the rear of the appliance.
- WARNING: Disposal of the appliance should be according to national rules.



WARNING: risk of fire / flammable materials. Do not damage the appliance refrigeration system. It contains the refrigerant gas R600a. If the refrigeration system is damaged:

- Do not use any open flame.
- Avoid sparks — do not turn on any electrical appliances or lighting fixtures.
- Immediately ventilate the room. Air the room in which the appliance is placed for a few minutes (the size of the room for a product containing isobutane / R600a must have a minimum size of 1 m³ per 8 g of refrigerant according to the EN 378 standard. The amount of refrigerant in the cooling unit is indicated on the rating plate) to avoid damage to the cooling system.



C-Pentane is used as blowing agent in the insulation foam and it is a flammable gas.


- This appliance is not designed for the storage of explosive substances such as aerosol cans with a flammable propellant.
- It is prohibited to store petrol and other flammable liquids near the appliance.
- The appliance should be used only for storing foodstuffs


Requirements for the connection to the mains:

- The appliance should only be connected to an earthed socket installed in accordance with the regulations. This product complies with all binding CE labelling directives. The earthed electrical socket by which the appliance is connected to the mains should be in an accessible place. It is a legal requirement that the appliance is properly earthed. The manufacturer will not be held liable for any damage or injury which may result from the failure to fulfil this requirement.
- The frequency and power of the electricity supply must conform to the general data parameters of the appliance as it is shown in the product label.
- **WARNING:** If the supply cord is damaged: to avoid the exposure to danger, always have faulty cable be replaced only by the manufacturer, by our customer service or by qualified person and with a cable of the same type.
- Do not use adapters, multiple sockets and two-wire extension leads. If it is necessary to use the extension lead, it must be equipped with a protection ring and a single socket and must have a VDE/GS safety certificate.
- When positioning the appliance, be careful that the electrical cord isn't squeezed in order to avoid its damage. Do not store heavy objects such as cooling devices, furniture or other devices next the appliance in such a way that they could squeeze and damage the electrical cord. This can cause a short circuit and a fire.
- Make sure that the plug of the electrical cord is not squeezed by the back wall of the appliance or otherwise damaged. A damaged plug can be the cause of a fire!
- **CAUTION!** If the installed interior lighting diode (LED) lamp for the cooling device is not functioning, contact the maintenance and repair representative for replacements. **LAMPS CAN BE REPLACED ONLY BY THE MAINTENANCE AND REPAIR REPRESENTATIVE.**

Requirements for safe use:

- Once the appliance is unpacked, make sure that it is complete, that the body and the electrical cord aren't damaged. It is forbidden to use a technically damaged appliance.
- If the appliance is unplugged (for cleaning, moving to another place, etc.), IT MAY BE REPEATEDLY SWITCHED ON AFTER **15 MIN.**
- When performing activities, such as cleaning, maintenance or moving, the appliance must be completely disconnected from power supply (by pulling the plug out from the socket). Do not pull on the cord, but hold the body of the plug instead.
- Do not set up the device outdoors.
- In an emergency, pull the power plug out of the socket immediately.
- Do not place any switched on electrical devices on top of the appliance because this may cause ignition of plastic parts.
Do not place any dishes with liquids on top of the appliance and do not keep flowers in vases or other liquid-filled vessels on the appliance.
- Do not climb on or sit on the appliance, do not lean on or hang on the appliance doors.
- Do not use water spray and steam to clean the appliance.


 Do not try repair the appliance on your own. If the appliance is out of order and it is not possible to repair it by means of given recommendations, unplug it, open the doors and call the service expert. Only a service representative can remedy all technical or construction faults.

 **The appliance should be transported only in the vertical position;** do not tilt any more than 30°. The manufacturer will not be responsible for any damage of the appliance that results from non-compliance with the instructions for transportation.

INSTALLATION AND OPERATING CONDITIONS

Positioning:

- This appliance can be installed in a dry, well ventilated indoor where the ambient temperature corresponds to the climate class indicated on the rating plate of the appliance.

 **WARNING!** The appliance should not be operated in an unheated room or porch. Place the appliance away from heat sources such as kitchen stove/oven, radiators, or direct sunlight.

The rear wall of the appliance, in particular, the condenser and other elements of the cooling system must not contact other elements, which may damage them, (e.g. central heating pipes and the water supply pipes).

Minimum distances from the heat sources:

- from the electric gas and other ovens - 30 mm,
- from oil or coal fired ovens - 300 mm,
- from built-in ovens - 50 mm

If there is no possibility of ensuring the above- mentioned distances, provide an appropriate insulation board.

- Do not cover the ventilation holes at the top of the appliances – it must be a good air circulation around the appliance. There should be a gap of at least 10 cm between the top of the appliance body and any furniture that may be above it. If this requirement is not followed, the appliance consumes more electrical energy and its compressor may overheat.
- If the appliance is placed in a corner, a gap must be left between the appliance body and the wall.

Overall space required for use and installation of the appliance:

For CC35DM, see Page 1, Fig. 2

For CC48DM, see Page 2, Fig. 5

- The appliance must stand on a level surface and must not touch the wall. If necessary, regulate the height of the appliance by adjusting the levelling feet: by turning them clockwise – the front of the appliance rises, by turning them counter clockwise – it comes down. If the appliance is tilted slightly backward – the doors will close by themselves.

Preparing the appliance for operation:

It is recommended to prepare the appliance for operation with a helper.

- Remove package. Lift the appliance away from foamed polystyrene base.
- The appliance must only be transported in its vertical position; do not tilt any more than 30°.
- Therefore take out adhesive tapes from sides and simply lift the appliance up and take out the board. Strip adhesive tapes off and open the door. Remove the spacer above the door.
- When positioning the appliance in chosen location, it will move more easily into position if you lift the front a little and incline it backward allowing it to roll on its casters. **When placing, moving, lifting the appliance, do not hold the door handles, do not pull the condenser at the rear part of the refrigerator and do not touch the compressor unit.**
- **For CC35DM:** Take two supports from the bag and insert them into the guides at the top back part of the appliance (see fig. 3, page 1).
- **For CC48DM:** Take out two supports **1** from a bag and screw them by screws **2** into marked places at the back of a appliance (see page 2, fig. 6).



For CC48DM: Take out the plug with the supply cord **11** from the water tray **12** (see page 2, fig. 4) which is placed under a compressor (this is intended for transportation only). **When the appliance is running, the cord can't be in the tray.**



The appliances should **not be connected to the mains** until all packing and transport materials aren't removed. Suitably dispose the packaging material.

- Once the unit has been positioned, wait for about 30 minutes before it is connected to the mains.



If the appliance has been tilted more than 30° during transport, allow it to stand in an upright position for at least 4 hours before it is connected to the mains. If this is not done, the appliance compressor may fail.

- When first starting-up or after a period out of use, before putting the products in the compartment let the appliance run at least 2 hours.

THE APPLIANCE BASIC PARTS

For CC35DM, see Page 1, Fig. 1

For CC48DM, see Page 2, Fig. 4

1 Lighting switch	7 Shelves
2 Thermostat knob	8 Thaw water channel cleaner
3 Thermostat position indicator	9 Condenser
4 Electricity supply indicator. When the appliance is connected to the electricity supply, the green indicator light is illuminated.	10 Compressor
5 Interior light (LED)	11 Supply cord
6 Blower*	12 Thaw water drip tray
*Opening the door the blower switches off.	13 Blower switch

TEMPERATURE REGULATION

The temperature in the device compartment is controlled using the thermostat knob **2** (see fig. 1 and fig. 4) by turning it to one side or the other.

Thermostat is switched off when in position 0: the compressor is switched off – electric current is not switched off. Turning thermostat to any position (except 0) turns on the blower.

The temperature indication in digits is shown beside the thermostat knob. For model ADN 350S: when the door is closed, the temperature setting can be seen on the thermostat position indicator display **3** (see fig. 1, page 1).

ATTENTION! The numbers "0, 1, 2, 3, 4, 5" do not mean a specific temperature.

The temperature is regulated on the scale of five digits.

0 = Compressor is switched off **WARNING! Electric current is not switched off.**

1 = highest temperature (lowest cooling)

5 = lowest temperature (highest cooling)



THE TEMPERATURE IN THE DEVICE COMPARTMENT MAY VARY DEPENDING ON AMBIENT TEMPERATURE, THE AMOUNT OF FOODSTUFFS, THE TEMPERATURE OF THE FOODSTUFFS, AND HOW OFTEN THE APPLIANCE DOORS ARE OPENED AND CLOSED.



If the room is cool, the appliance cools less. The temperature in the appliance may therefore rise. Use the thermostat wheel to set a lower temperature.

To avoid food contamination, follow the instructions below:

- Prolonged opening of the door can significantly increase the temperature in the compartments of the appliance: only open the door for the time required to place / remove food.
- Regularly clean surfaces that may come into contact with food and accessible drainage systems.
- Store fresh meat and fish in suitable containers in the refrigerator so that they do not come into contact with or drip on other food.
- Do not put unpackaged food in the refrigerator.
- If the appliance is left empty for a long time, switch it off, defrost, clean, dry and leave the door open to prevent mold from forming inside the appliance.
- Strictly adhere to the expiration date for foods as stated by the manufacturer on the product packaging

WARNING. HEALTH HAZARD! If the appliance has been switched off or the power fails, the contents will no longer be adequately cooled. Stored food can spoil, so there is a risk of food poisoning if consumed.

- After a power failure, check whether the stored food can still be consumed.

DEFROSTING, CLEANING AND CARE

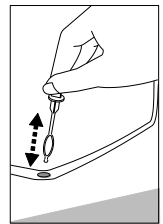
THE THE APPLIANCE COMPARTMENT DEFROSTS AUTOMATICALLY. Drops of ice that form on the back wall of the refrigerator compartment thaw during the time the compressor is not working and the thaw water runs down the thaw water runoff channel to the tray on top of the compressor, where it evaporates.

REGULARLY CLEAN THE APPLIANCE.



Remember that before cleaning the back part of the appliance body you must disconnect the appliance from the electrical energy supply socket by pulling the plug out of the electricity outlet.

- Protect the appliance inner surfaces and plastic parts from fats, acids and sauces. In case of accidental spills – immediately clean with warm soapy water or dishwashing detergent. Wipe dry inner and outer surfaces.
- Regularly clean the hermetic gaskets of the doors. Wipe dry.
- REGULARLY CLEAN THE THAW WATER CHANNEL SPACE WITH A SPECIAL CLEANER FOR THAT PURPOSE.
- At least once a year clean dust away from the back part of the appliance body and the compressor. A soft brush, electrostatic cloth or vacuum cleaner may be used for cleaning.
- DO NOT use detergents containing abrasive particles, acid, alcohol or benzene for cleaning the appliance inner and outer surfaces. DO NOT use for cleaning cloths or sponges that have coarse surfaces intended for scrubbing. Outer of the doors – glass – clean with agents intended for glass cleaning.



- IF THE APPLIANCE IS TO BE LEFT SWITCHED OFF FOR AN EXTENDED PERIOD, LEAVE ITS DOORS OPEN.

CHANGING THE OPENING DIRECTION OF THE DOORS

It is recommended that changing the opening direction of the doors should be done with a helper. You will need two spanners No. 8 and No. 10 and a Philips head screwdriver.

When changing the opening direction of the doors, YOU CAN NOT lay the appliance horizontally.

Do the actions below in the order they are listed:

WARNING! Turn off the appliance and pull the plug out of the electricity supply socket.

For CC35DM (see page 3, fig. 7):

1. Remove the lower bracket 8 together with washers 6 on the axle and the plastic gasket 5, the lower bracket 11 and the lower cover 10. Remove the refrigerator door.
2. Unscrew axle counterclockwise. Remove together with nut 1 and washers 3.
3. On the opposite side screw in the axle clockwise together with nut 1 and washers 3.
4. Insert the refrigerator door into the screwed-in axle 2.
5. Screw the lower cover 10 and the lower bracket 8 together with washers 6 onto the axle and the plastic gasket 5 in place of the bracket 11. Screw the bracket 11 in place of the bracket 8.
6. Remove handle 12 and attach it on the opposite side. Plug up the remaining holes on the right side with lids 13 in the sachet inside the refrigerator.

For CC48DM (see page 3, fig. 8):

1. Turn off the appliance and pull the plug out of the electricity supply socket.
2. Unscrew three screws 2 on the upper door suspension bracket 1, unscrew the axle 3 and turn it towards the opposite side of the bracket.
3. Remove the door 4 by lifting it up;
4. Unscrew the fixing screws 6 of the lower grid 5 and remove the grid by detaching hooks on the bottom of the grid from the cabinet. The tongue of lock 7 must be in a horizontal position. Move the cover 8 on the left side of the grid to the other side.
5. Unscrew four screws 10 securing the lower door hanger bracket 9 and two screws 10 securing the door support bracket 11. Remove the rackets along with screws and washers. Screw the axle 12 of the lower door suspensions bracket into the next threaded hole, symmetrical to the current position. Screw brackets 9 and 11 by swapping them;
6. Hang the door on the left side of the cabinet. Fasten the door on the upper left side with bracket 1 with screws and washers, after turning the bracket 180°. Attach the lower grid.
7. Unscrew the self - tapping screws 14 on the handle 13 and fasten the handle with the same self - tapping screws on the side of the door. Plug up the remaining holes on the right side with lids 15 in the sachet inside the refrigerator.

Wait for about 30 minutes before it is connected to the mains. **If the unit has been tilted to more than 30°, wait for about 4 hours before re-connecting it to the mains**

OPERATION PROBLEMS AND THEIR SOLUTIONS. What if ...

- **The appliance is plugged in to the mains but it does not work and the electricity supply voltage indicator is not illuminated.** Check that your house electricity supply installations are in order. Check that the plug is correctly inserted into the electricity supply socket.
- **The noise has become louder.** Check that the appliance is standing stable, on a level place. To make it level, regulate the front feet. Check if the appliance is not touching any furniture, and that no part of the refrigeration system at the back part of the appliance body is touching the wall. Pull the appliance away from any furniture or walls. Check that the cause of increased noise isn't due to bottles, cans in the appliance that might be touching each other.
- **Water has appeared at the bottom of the refrigerator compartment.** Check whether a thaw water channel space isn't blocked. Clean the thaw water channel space with a cleaner intended for that purpose.
- **Water has appeared under the appliance.** The thaw water collection tray has slipped off the compressor. Place the tray on top of the compressor.
- **When the appliance door is opened, the rubber sealing gasket pulls out.** The gasket is smeared with sticky foodstuffs (fat, syrup). Clean the sealing gasket and the groove for it with warm water containing soap or dishwashing detergent and wipe dry. Put the rubber sealing gasket back into the place.
- **High temperature in appliance, the compressor operation pauses are short.** Ascertain whether the appliance door/doors are shutting tightly, whether the door wasn't kept open longer than necessary when taking out or putting in foodstuffs or whether a large amount of warm food was placed in the appliance.
- **The top of the appliance has condensation on it.** The ambient relative air humidity is above 55 %. Ventilate the room where the appliance stands and if possible, remove the cause of the humidity.



Remarks on the appliance operating noise. As the appliance operates and goes through the freezing cycle, various noises will be emitted. This is normal and is not a sign of any malfunction.

- As the refrigerant circulates around the refrigeration system, it causes sounds like murmuring, bubbling, or rustling. Louder sounds like popping or clicking may be heard for a short time as the refrigerator compressor switches on.

ENVIRONMENTAL PROTECTION INFORMATION



If the appliance is no longer in use, cut the connecting cable off the used equipment before its scrapping. Also, remove the appliance lock or render it useless so that the appliance presents no danger to children while being stored for disposal. This appliance is marked with a symbol of the crossed out waste container in conformance with the European Directive 2002/96/EC. Such marking informs that the equipment may not be kept together with other waste coming from the household after the period of its use. The user is obliged to dispose of the appliance at the waste collection point. The local waste collection points, shops and communal units form an appropriate system enabling the disposal of the equipment.

Handling the used electrical and electronic equipment properly contributes to the avoidance of consequences harmful to the human health and natural environment, resulting from the presence of hazardous substances and improper storage and processing of such equipment

WARRANTY SERVICE

IF YOUR APPLIANCE IS NOT WORKING PROPERLY, ASCERTAIN WHETHER YOU CAN REMEDY THE CAUSE OF THE FAULTY FUNCTIONING OF THE APPLIANCE YOURSELF. If you cannot solve the problem yourself, contact the nearest refrigerator service representative by telephone or in writing. When making contact necessarily indicate the refrigerator model and number. You will find this data on the product label, which is glued to the wall of the refrigerator compartment.

Product Information Sheet

Model identifier	CC35DM	CC48DM
Type of refrigerating appliance:	Refrigerated storage cabinet	
Total Gross volume, L	350	480
Gross volume, L	230	350
Dimensions (H x W x D), cm	173 x 60 x 60	202,5 x 60 x 68,5
Shelf area, dm ²	101	127
Product temperature class (In accordance with standard EN16825:2016)	M1 (from -2 to +8°C)	M1 (from -2 to +8°C)
Climate class	4 (+30 °C)	4 (+30 °C)
Door opening area, m ²	0,80	0,84
Maximum loading of one shelf, kg	50	60
Energy efficiency class	D	D
Energy consumption when ambient temperature is +25 °C, kWh /year	735	882
Electrical Data	see in the product label	